

# MID-BASS MB15N401

Professional Low Frequency Transducer

PART NUMBER **11100034**

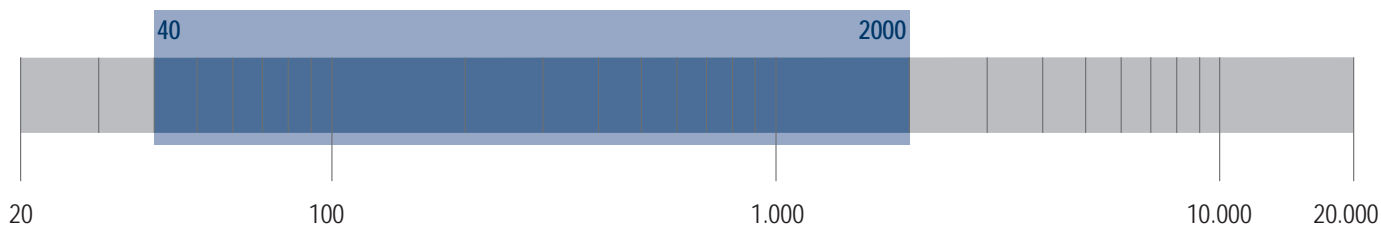
The MB15N401 is a neo midbass with a linear frequency response and very high efficiency. To get this performance the magnetic structure use a double demodulation ring and a fibre loaded exponential cone assembly along with a high excursion triple roll, constant geometry surround. The fibreglass former, inside / outside copper voice coil provides a very good power handling maintaining a light mass maintaining a proper Q factor for bass alignment. The double demodulations ring guarantee a fastest time response and lowest distortion.

## Features

- 4-inch, fibreglass inside-outside copper voice coil
- 1700 Watt continuous program power handling
- 100 dB Sensitivity
- 40 Hz - 2 kHz Frequency range
- Dual –forced air ventilation
- Triple-roll surround and exponential cone geometry
- Aluminum demodulation ring

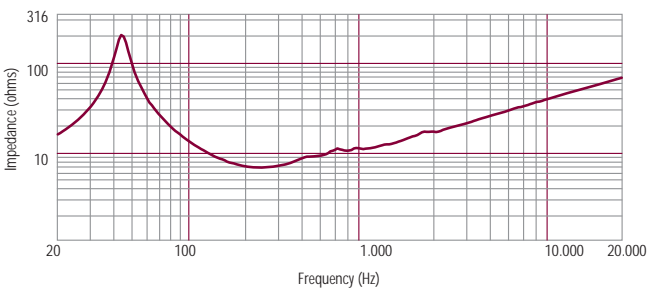
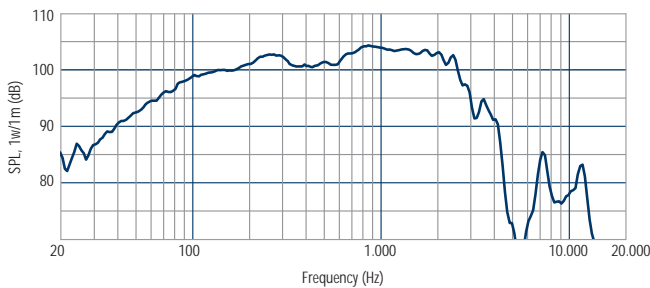
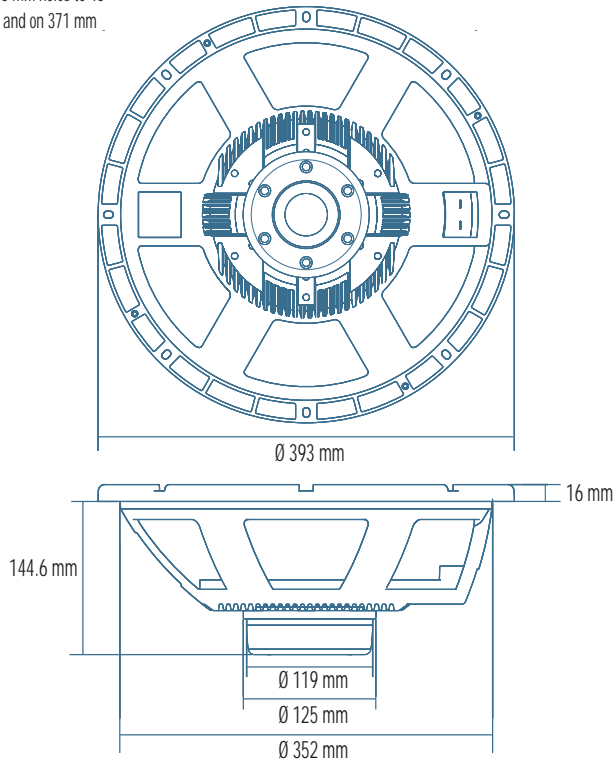
## Applications

The MB15N401 is ideal for use in applications where is required good power handling, very high efficiency and perfect linearity. Is the ideal 15" woofer for mid-bass application in the compact 2 way system. The robust mechanical design and optimised weight of the device make it desirable for use in fixed installation or portable professional loudspeaker system.





8 x  $\varnothing$  6.5 mm holes to 45°  
on 376 and on 371 mm



Impedance magnitude curve measured in free air.

## Notes to Specifications

1 Program Power is defined as 3 dB greater than AES power. - 2 AES standard. - 3 Sensitivity measurement is based on a 100-500 Hz pink noise signal with input power of 2.83V @ 8 Ohms. - 4 Thiele-Small parameters are measured after a 2 hour warm up period running the loudspeaker at full power handling capacity. - 5 The maximum linear excursion is calculated as:  $(Hvc - Hg)/2 + Hg/4$  where Hvc is the voice coil depth and Hg the gap depth. - 6 Calculated for front mounting on 18 mm thick board.

## General Specifications

Nominal Diameter	380/15	mm/inch
Rated Impedance	8	ohm
Program Power <sup>1</sup>	1700	Watts
Power handling capacity <sup>2</sup>	850	Watts
Sensitivity <sup>3</sup>	100	dB
Frequency Range	40 - 2000	Hz
Effective Piston Diameter	340/13.4	mm/inch
Max Excursion Before Damage (peak to peak)	40/1.57	mm/inch
Minimum Impedance	6,4	ohm
Voice Coil Diameter	100/4	mm/inch
Voice Coil Material	Copper	
Voice Coil Winding Depth	18/0.70	mm/inch
Number of layers	2	
Kind of layer	inside/outside	
Top Plate Thickness	12/0.47	mm/inch
Cone Material	No pressed pulp	
Cone Design	Curved	
Surround Material	Polycotton	
Surround Design	Triple roll	

## Thiele - Small Parameters <sup>4</sup>

Resonance frequency	Fs	42	Hz
DC resistance	Re	5.0	ohm
Mechanical factor	Oms	7.7	
Electrical factor	Oes	0.20	
Total factor	Ots	0.19	
BL Factor	BL	26.1	T · m
Effective Moving Mass	Mms	100	gr
Equivalent Cas air load	Vas	136	liters
Effettive piston area	Sd	0.091	m <sup>2</sup>
Max. linear excursion (mathematical) <sup>5</sup>	Xmax	5.5	mm
Voice - coil inductance @ 1KHz	Le1K	1.6	mH
Half-space efficiency	Eff	4.86	%

## Mounting Information

Overall Diameter	393/15.5	mm/inch
Bolt Circle Diameter	371-376/14.6-14.8	mm/inch
Bolt Hole Diameter	6.5/0.25	mm/inch
Front Mount Baffle Cut-out	354/13.9	mm/inch
Rear Mount Baffle Cut-out	354/14.2	mm/inch
Depth	158/6.2	mm/inch
Volume occupied by the driver <sup>6</sup>	3.8/0.13	liters/ft3

## Shipping Information

Net Weight	7.5/16.6	Kg/Lbs
Shipping Weight	8.1/18	Kg/Lbs