



the rules of sound



HOME PAGE

ABOUT US

PRODUCTS

NEWS

REFERENCES

DOWNLOADS

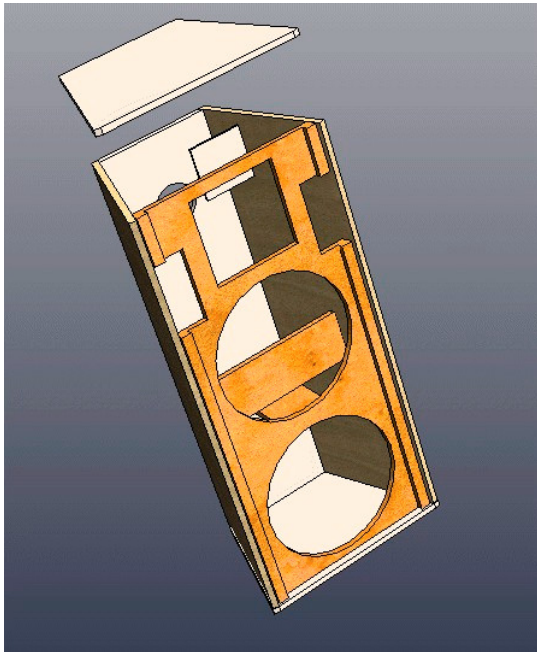
CONTACTS US

Pro Constructor series

Club Duo 15 HP

The club 15 Duo is a powerful , portable wide range system with detailed low frequency performance. 1.4" HF driver ND 650

Application: P.A. , Dance, Install
1000 watts, 90 x 40 dispersion. X-over point 1500Hz



HF 94

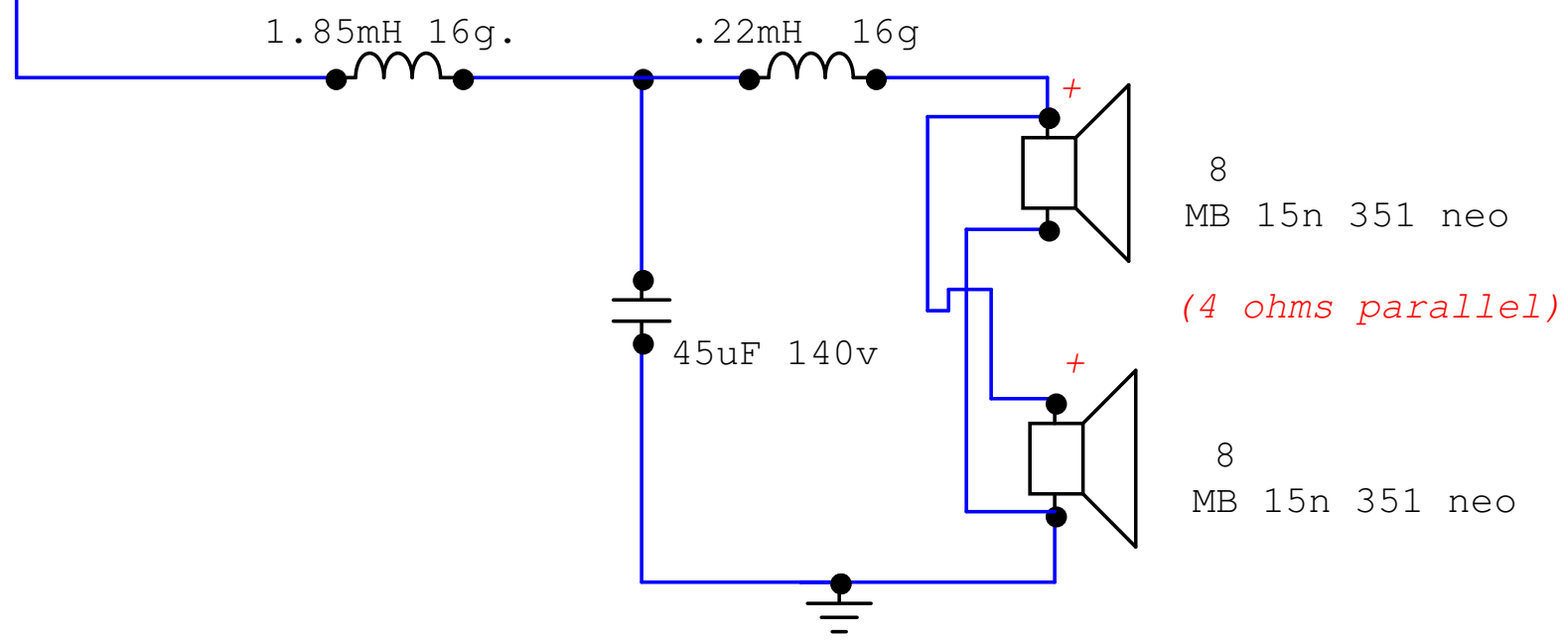
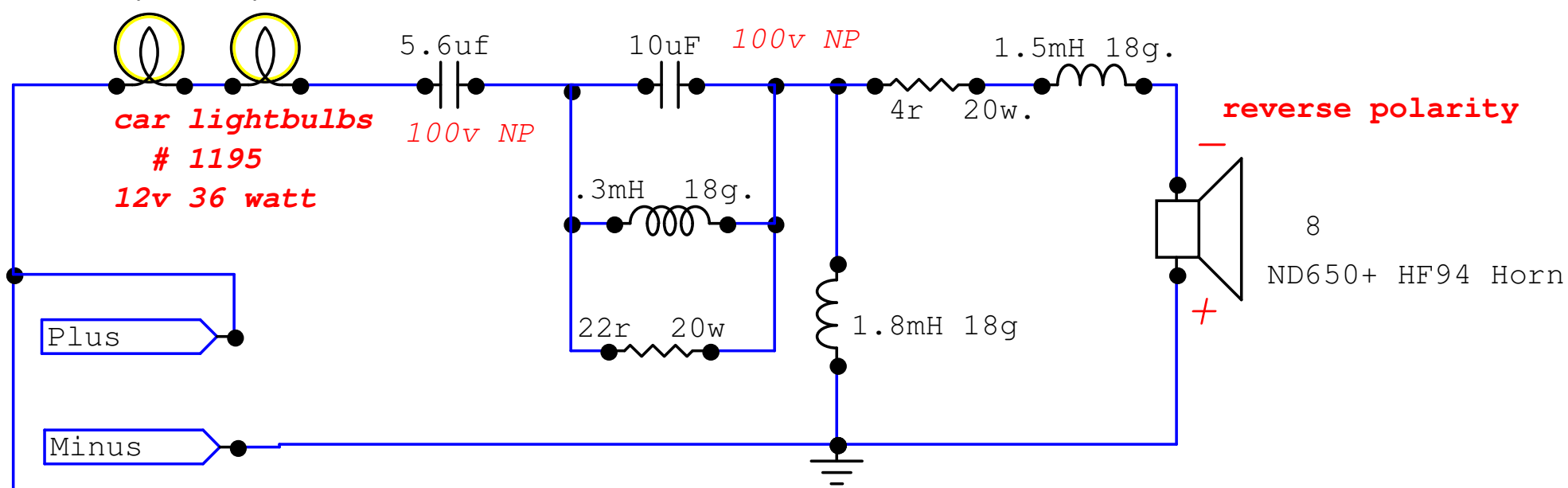


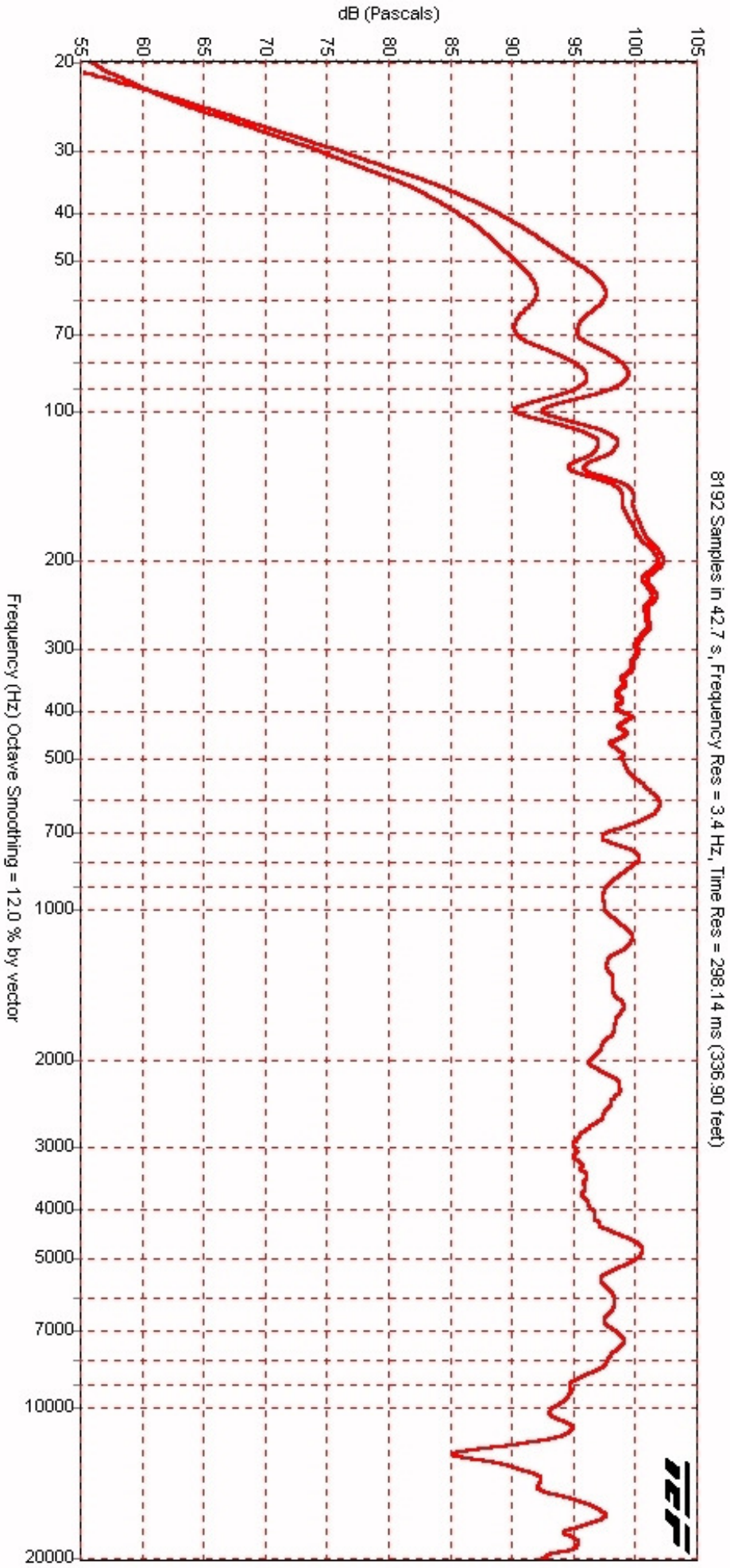
L15p-540

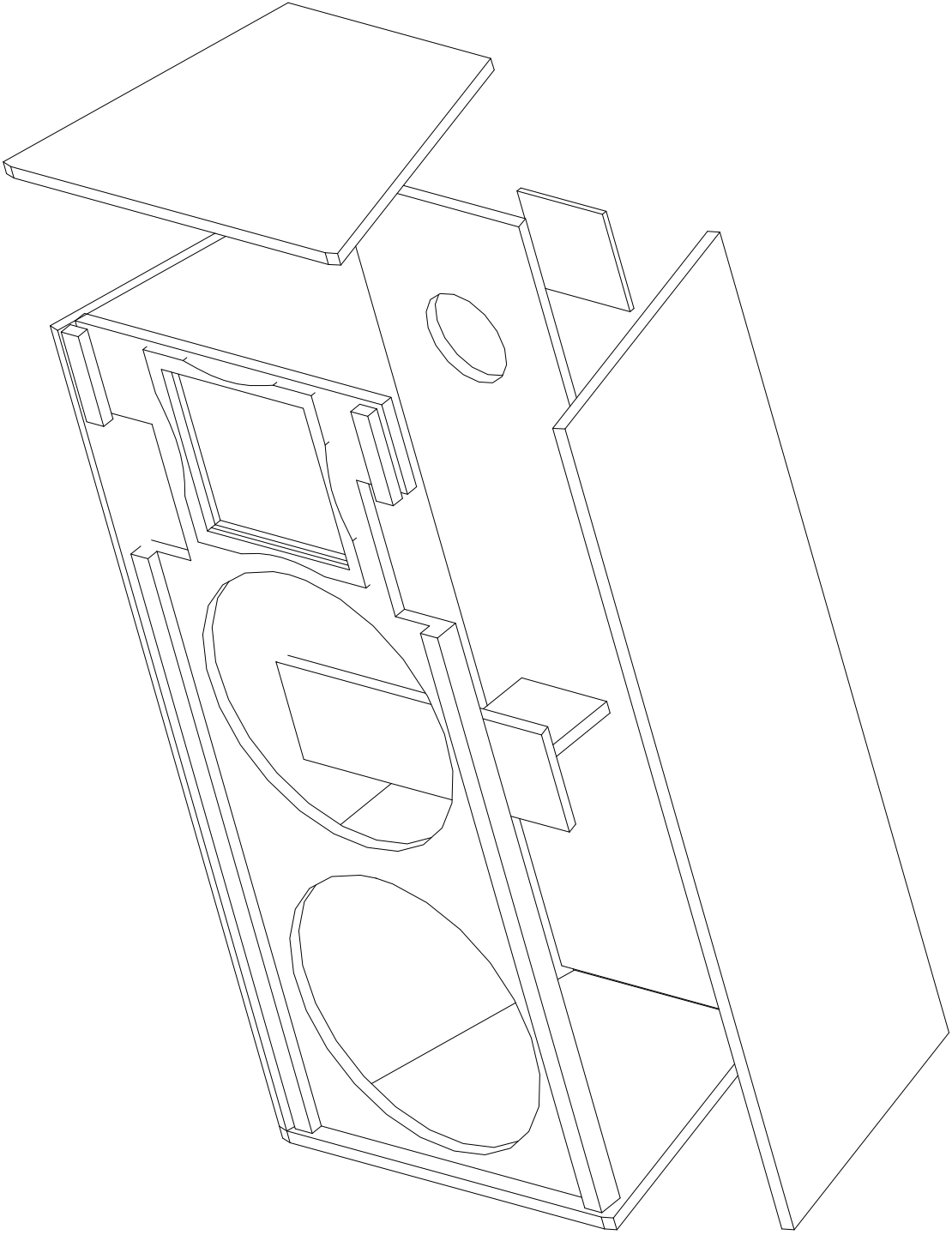
ND650

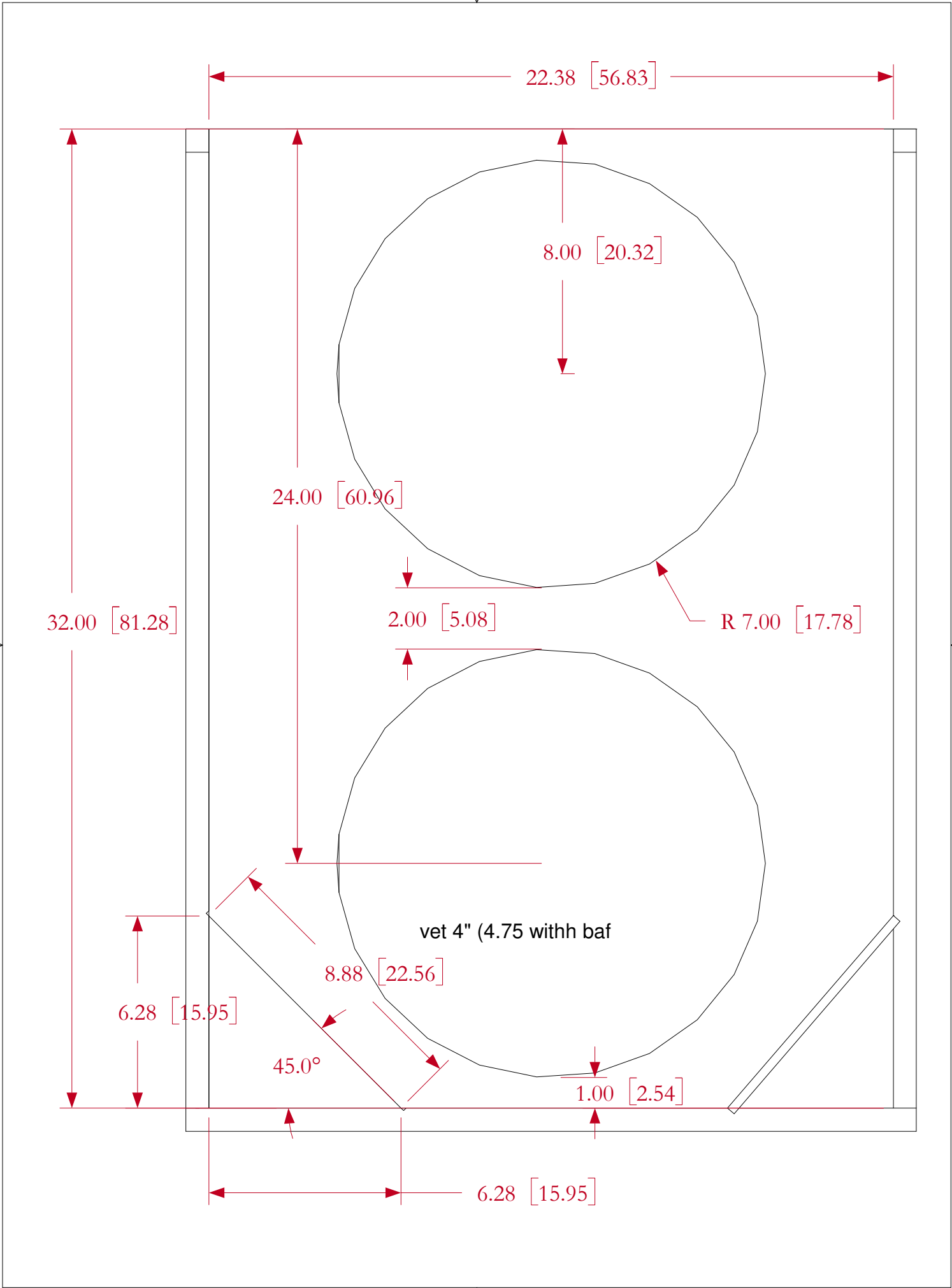
Professional High Frequency Transducer

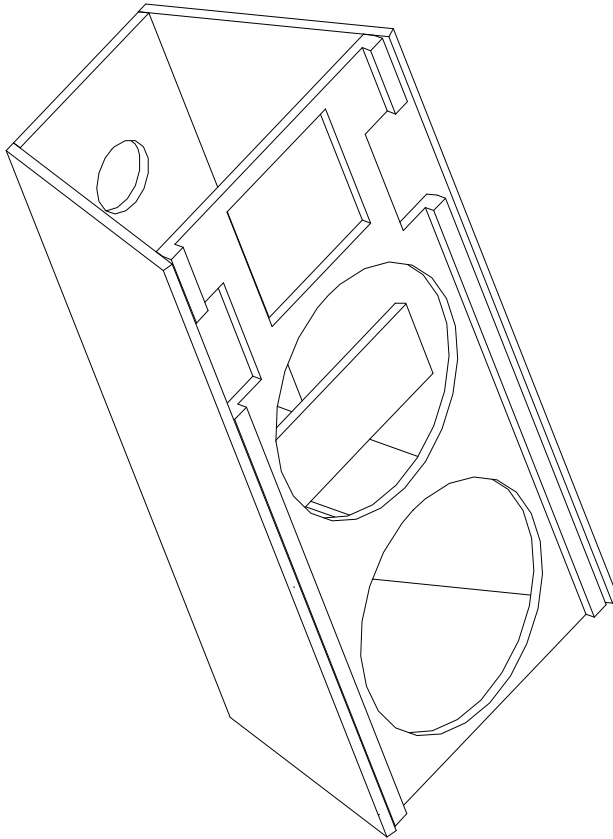






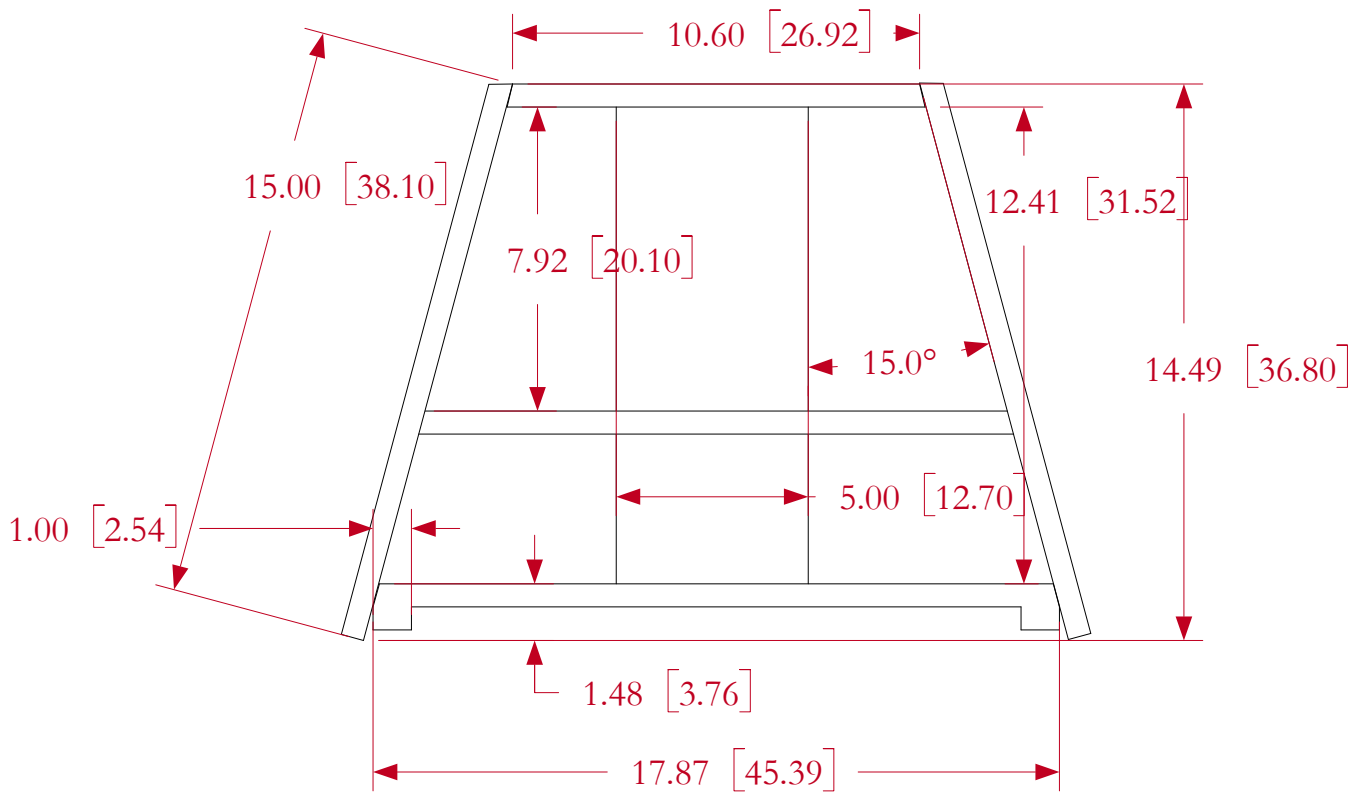


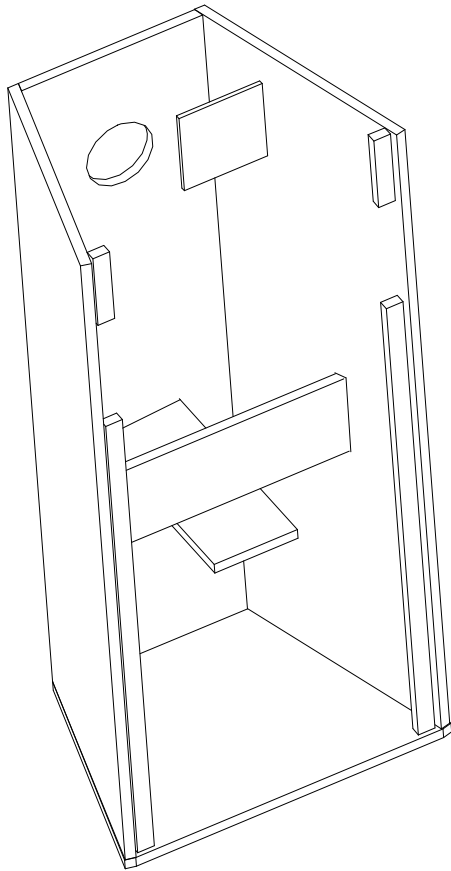
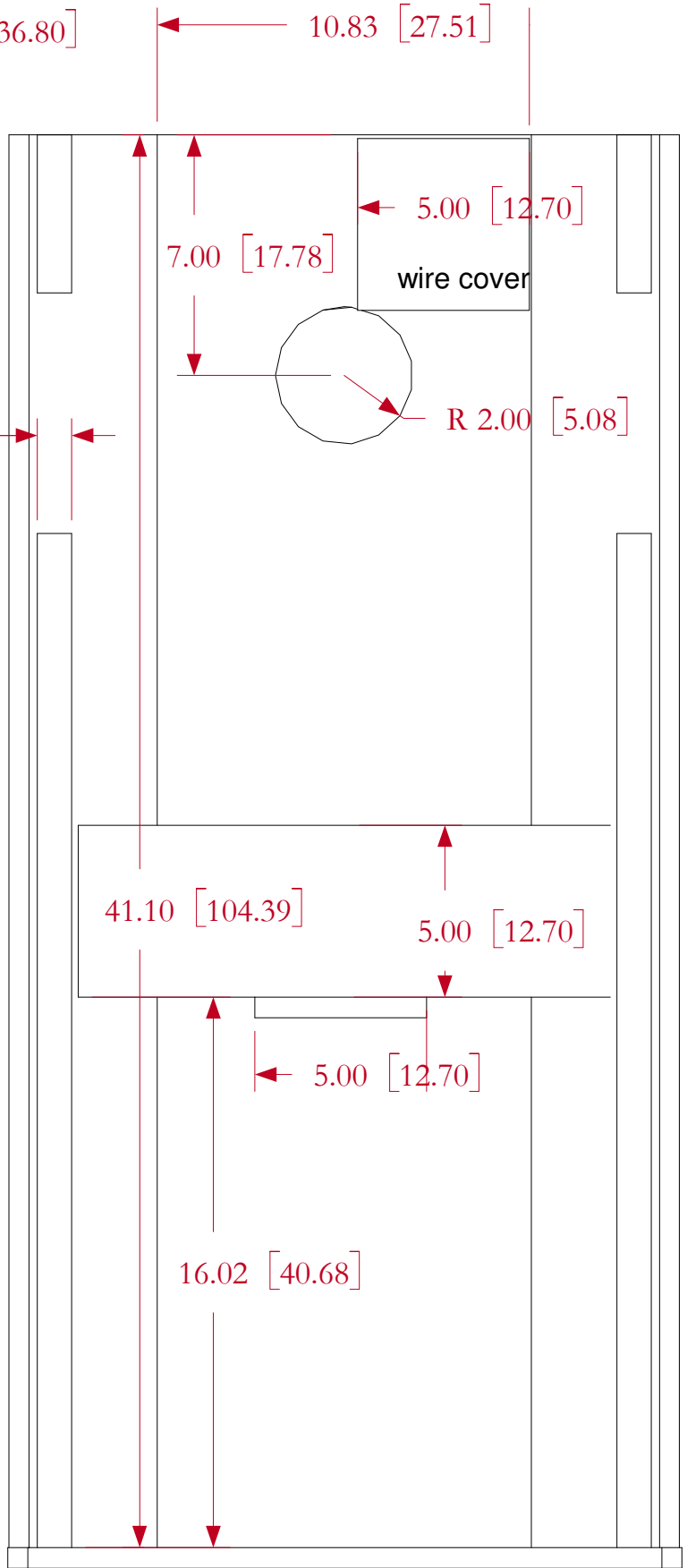
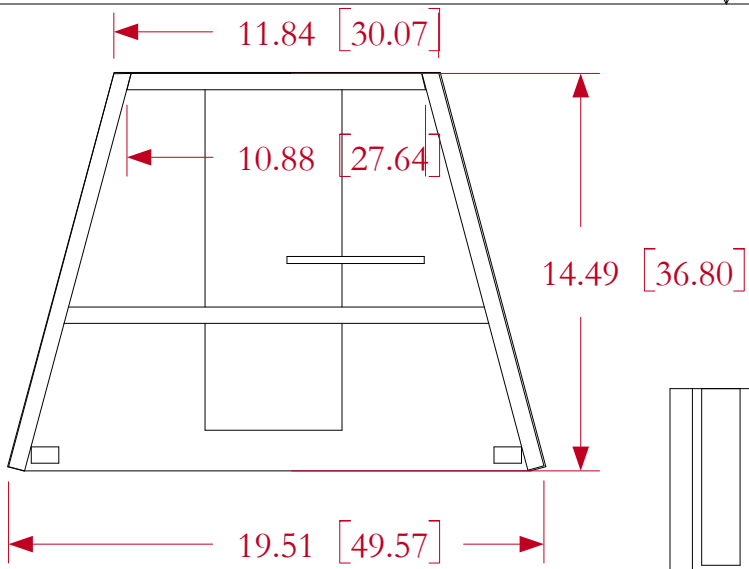




CLUB DUO 15 HP and LP

Gross volume 6 cubic feet
169 Liters





1.00 [2.54]

